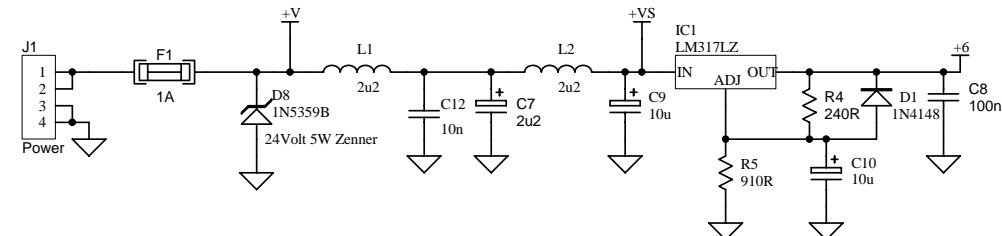
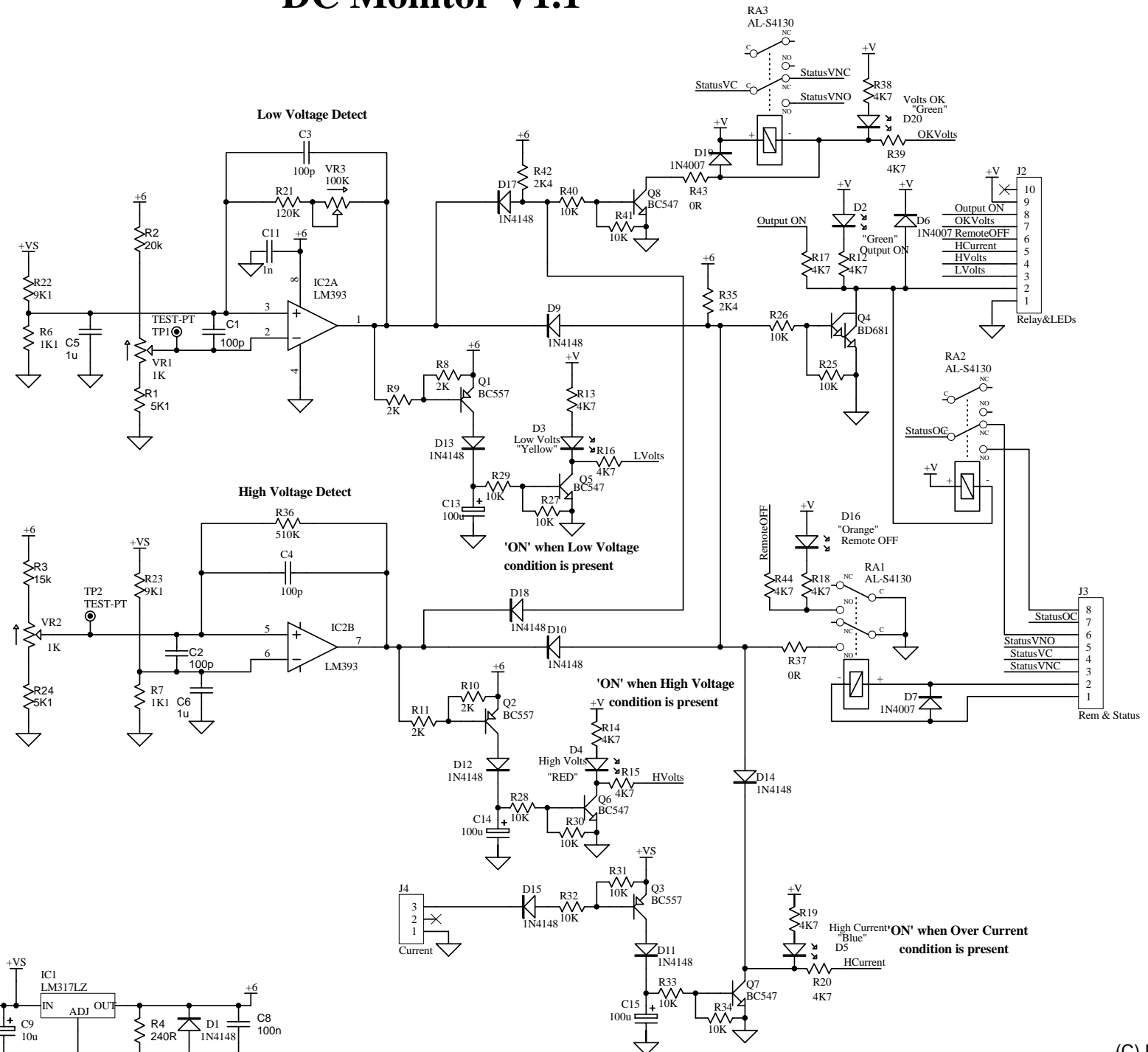


DC Monitor V1.1

Voltage Adjustment Ranges
 Low : 11.1V - 12.9V
 HIGH : 13.4V - 15.5V



Dual Interface
 Free for use in Amateur Radio Applications.
 Shall not be used for Commercial or Medical
 Applications without the consent of the Author.



(C) P Cockburn VK5TZX 2007

AMENDMENT DETAILS	DRAWN	DATE	DRAWN	DATE
Original Issue Ver 0.1	VK5TZX	22/8/2007	P. Cockburn	22/8/2007
			FILE	
			DCM1_1.SCH	
			TOLERANCES	
			N/A	
			DWG No.	
			SHEET 1 OF 1	

**Amateur Radio
 Experimenters Group**
 TITLE
DC Monitor V1.1
 CIRCUIT DIAGRAM