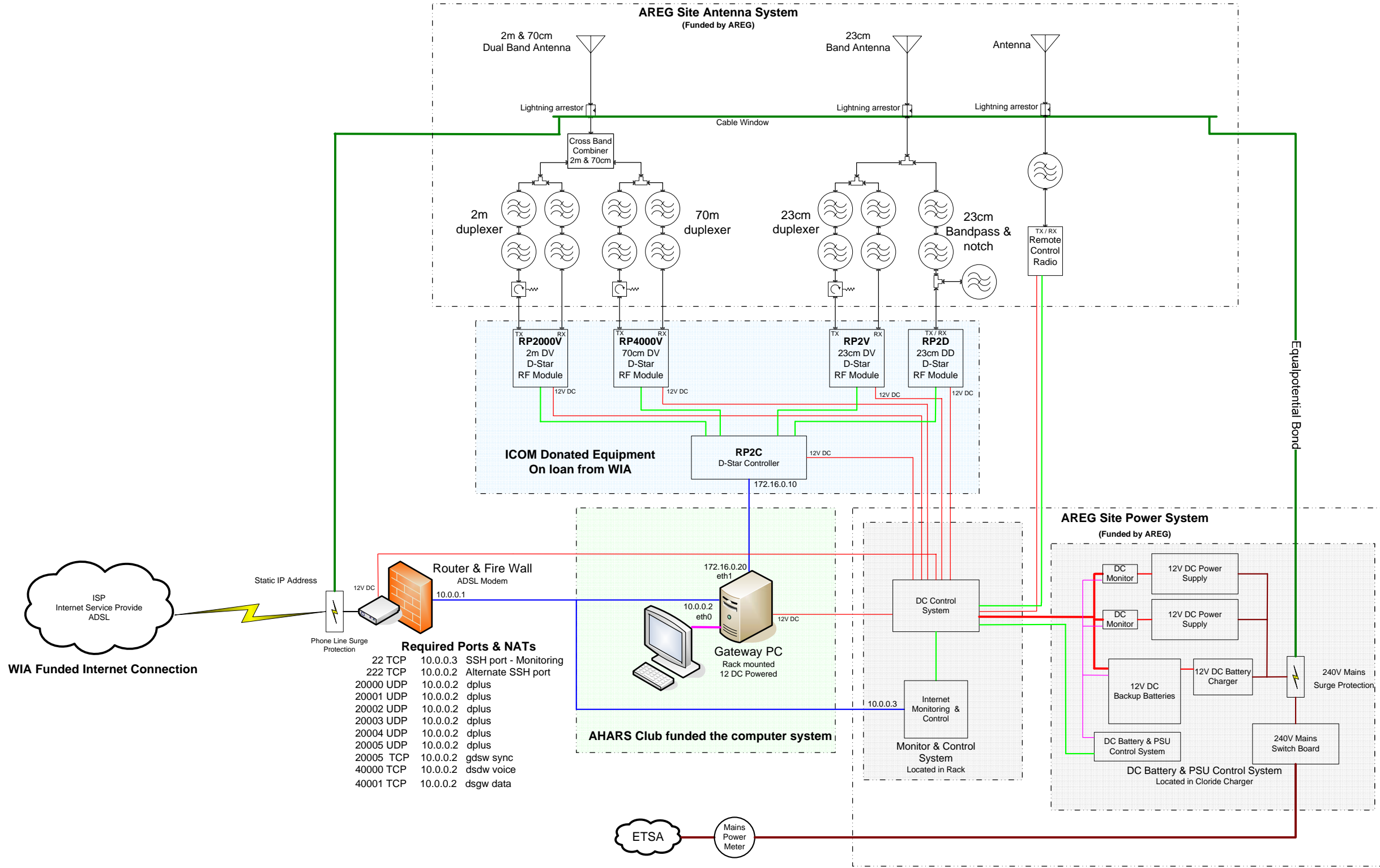


D-Star System Logical Architecture HWCI



Legend

Earthing Conductors	Green line
240V Mains Power	Red line
12V DC Power	Blue line
Ethernet 10/100BaseT	Orange line
Custom Serial Interface	Purple line
KVM Cable	Pink line
Coax	Black line

MATERIAL / SPEC	DRAWN	AREG Amateur Radio Experimenters Group	
	CHECKED	TITLE D-Star System Logical Architecture HWCI	
	PASSED		
EST MASS	APPROVED		
UTOL DIMS	CONTRACTOR		
		JINE No.	DRAWING No.
			A2
SCALE: none		CLASSIFICATION	SHEET 1 OF 1
		UNCLASSIFIED	